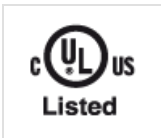


ADAPTOR M12 MALE / M12 FEMALE 5P. 3XLED

Adapter
Male - female
M12 – M12, 5-pole
3× LED (PNP)

Illustration

Product may differ from Image

Approvals**Form**

Form 42881

Technical Data

Operating voltage	max. 30 V DC
Operating voltage (only UL listed)	max. 30 V DC
Operating current per contact	max. 4 A
Locking of ports	Screw thread (M12×1 mm) recommended torque 0.6 Nm, self-securing
Protection	IP67 inserted and tightened (EN 60529)
Locking material	Zinc die casting, matte nickel plated
Material	PUR

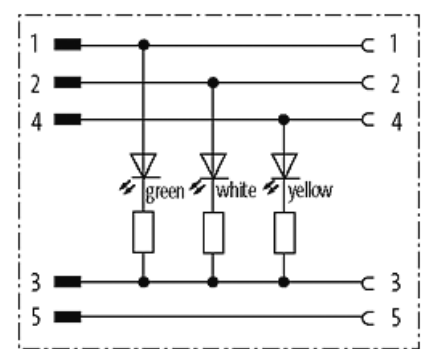
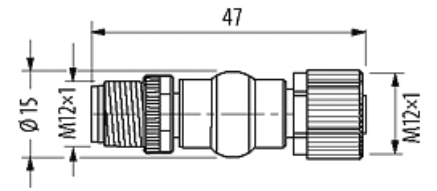
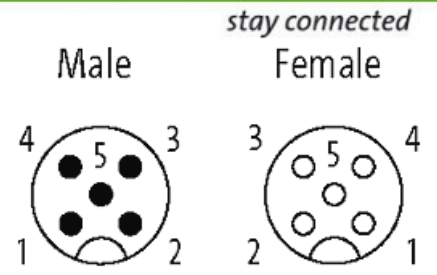
General data

Temperature range	-25...+85 °C
Test isolation voltage	0.8 kV eff/rms

Commercial data

country of origin	DE
customs tariff number	85366990
EAN	4048879415996
eClass	27143423
Packaging unit	1

Sketch



Product may differ from Image